



Smart Turnstile

Sacoa
Debit Card System

Overview

- Specially designed for FEC'S.
- The rotation speed can be customized easily by the user.
- Counts passes.
- Stainless sand blasted chrome body.
- Due to it's non reflective coating and custom built antenna pole, it is suitable for wide range wireless communication.
- Special designed catch and release mechanism prevents problems during pass trough.
- Can be affixed to floor.
- When connected to the alarm system of the facility, it will enable 2 way pass through in case of emergency.
- Eye catching design.
- Spare parts/technical assistance available.
- 1 YEAR international warranty.



Custom made for FEC's

Specially designed to avoid losses due to unauthorized pass through, as well as to insure safety of players.

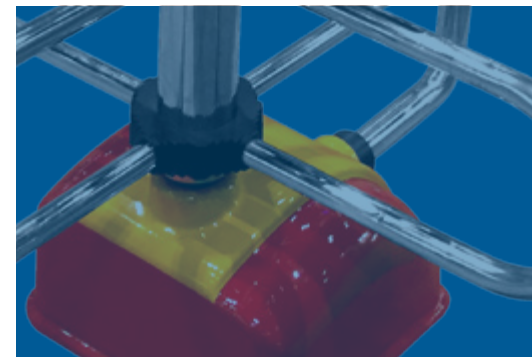
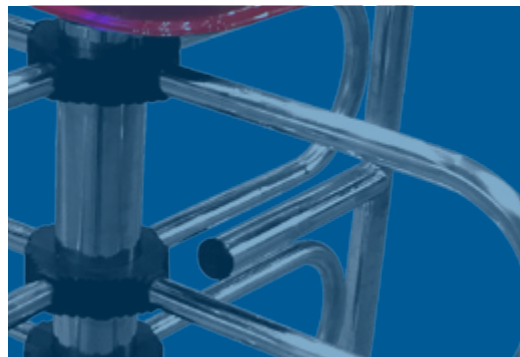
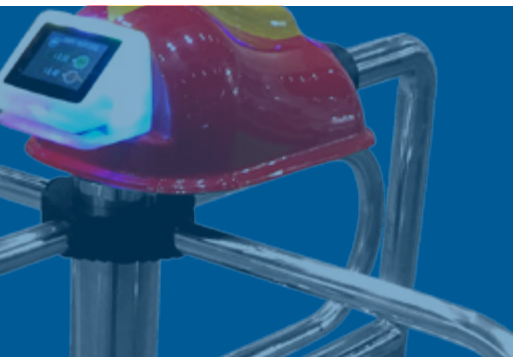
Operation

When powered, the electronic locking system locks the arms.

When the card system sends the signal for pass through, the turnstile's micro controller will command the motor to rotate the arms.

The arms rotate 90 degrees and lock in position, ready for next activation.

The green indicator light on top of the antenna pole will start flashing when the card signal is received and will stop flashing when the pass through action has been completed.



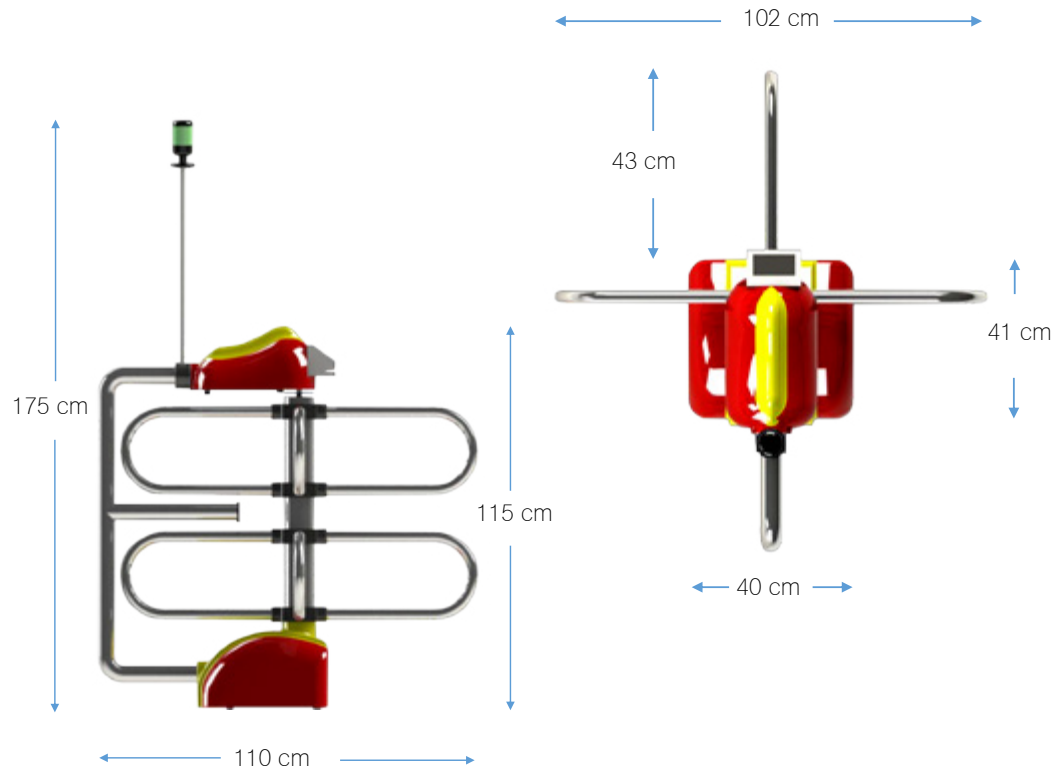
Dimensions and Weight

Machine Dimensions
Height: 115 cm / 45.30 in.
Depth: 100 cm / 39.37 in.
Width: 110 cm / 43.30 in.

Machine Weight:
36 kg / 79 lb.

Pallet Dimensions
Height: 120 cm / 47.24 in.
Depth: 71 cm / 27.95 in.
Width: 46 cm / 18.11 in.

Pallet Shipping Weight:
70 kg / 154 lb.



Shipping

Our products are packed within the minimum overhead in wooden crates to prevent any damage and minimize cost of freight.